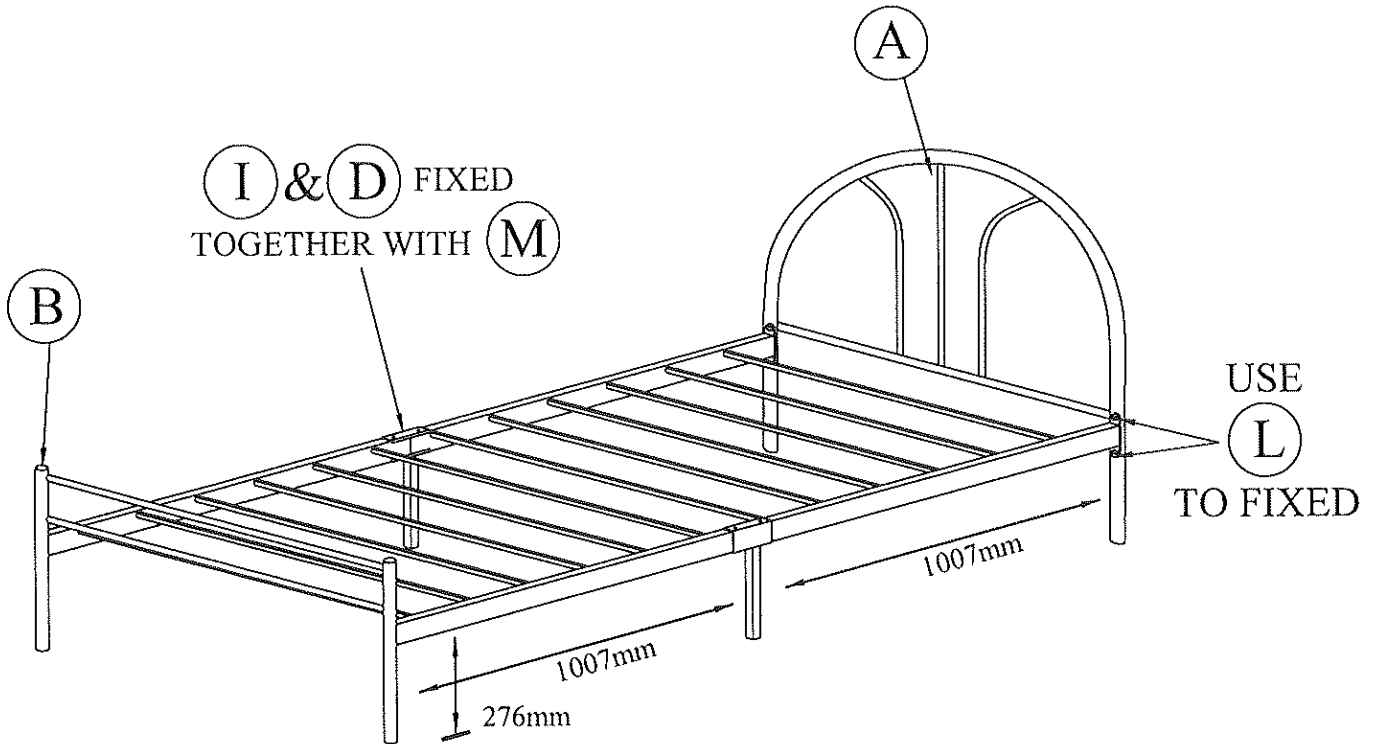


ASSEMBLY INSTRUCTION AT 233 SINGLE BED



PART LIST

<p>A. Head Board Metal Post</p>	<p>B. Foot Board Metal Post</p>	<p>D. Metal Slat (2 pcs)</p>
		<p>I. Support Legs (2 pcs)</p>

HARDWARE LIST

K1.		L Allen Key M4		1 pc
K2.		L Allen Key M5		1 pc
L.		M6 x 25mm Bolt	Head&Back Board / Metal Slat	8 pcs
M.		M8 x 70mm Bolt With Hex Nut	Metal Slat	4 pcs